

3.18mm CRIMP TERMINAL FOR 6770 SERIES



6771- 6773 & 6772- 6774 SERIES. 3.18 mm. (0.125"). AWG 10-18

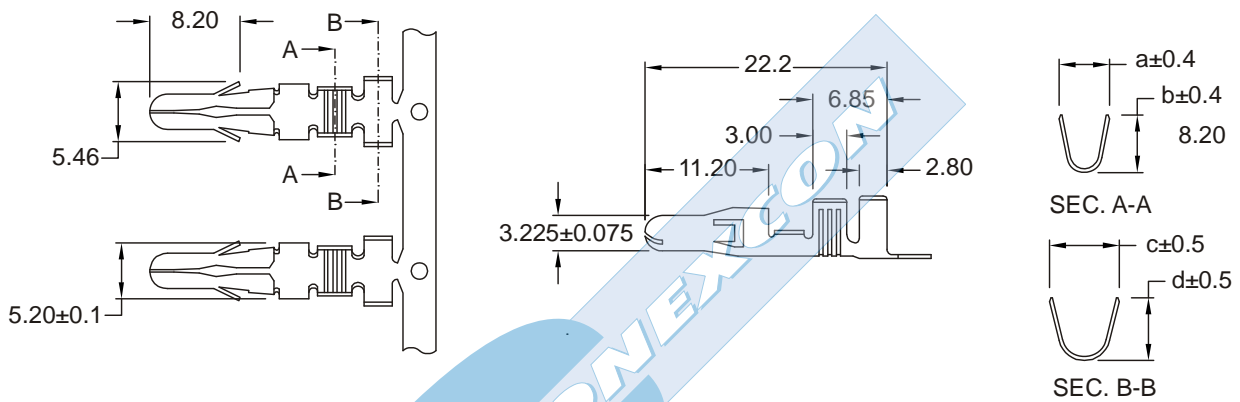
Features

- Lateral Carrier
- Material: Tin-plated brass
- Current Rating: 20 A maximum
- Contact Resistance: 3mΩ maximum
- Insertion force: 1.60 Kgs.
- Pin disconnection force: 1.25 Kgs.

Dimensional Information

Ordering and Dimensional Information

Type	Part Number	Dimensions				Material	AWG	Reel Quantity
		A	B	C	D			
Male	6771 – 2000	2.8	3.3	4.9	5.0	Tin plated brass	16 – 18 AWG	Chain
Male	6771 – 2001	2.8	3.3	4.9	5.0	Tin plated brass	16 – 18 AWG	Loose Piece
Male	6773 – 2000	5.4	5.2	6.5	5.7	Tin plated brass	10 – 14 AWG	Chain
Male	6773 – 2001	5.4	5.2	6.5	5.7	Tin plated brass	10 – 14 AWG	Loose Piece



Type	Part Number	Dimensions				Material	AWG	Reel Quantity
		A	B	C	D			
Female	6772 – 2000	2.8	3.3	4.9	5.0	Tin plated brass	16 – 18 AWG	Chain
Female	6772 – 2001	2.8	3.3	4.9	5.0	Tin plated brass	16 – 18 AWG	Loose Piece
Female	6774 – 2000	5.4	5.2	6.5	5.7	Tin plated brass	10 – 14 AWG	Chain
Female	6774 – 2001	5.4	5.2	6.5	5.7	Tin plated brass	10 – 14 AWG	Loose Piece

