

2.13 mm. DIAMETER TOP ENTRY PLUG



6769 SERIES. 6.35 mm. (0.250") Pitch.

General Features

- Available in 2, 3, 4, 5, 6, 9, 10, 12 and 15 circuits
- Mates with 2.13 mm. diameter crimp housing 6760 series
- Round female contact 2.13 mm. diameter tin plated
- Fully shrouded with polarized slot
- Positive lock

Materials

- Insulator standard: Nylon UL 94 V-2 (*Optional: UL94V-0)
- Terminal: Tin plated brass
- Operating temperature: -40°C to +105°C
- RoHS compliant

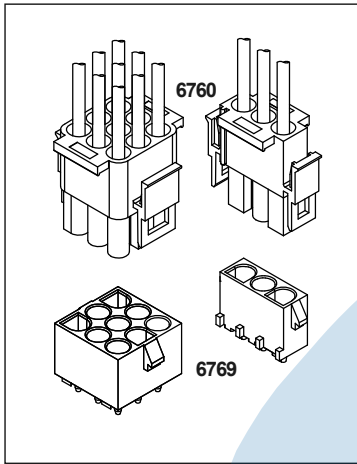
Electrical Features

- Voltage rating: < 600V
- Current rating: < 5 A
- Contact resistance: < 10 mΩ
- Dielectric withstanding voltage: 5000 V AC/minute
- Insulation resistance: >1000 MΩ

Mechanical Features

- Pin retention force to insulator: < 1.00 Kgf
- Durability: 25 cycles

Dimensional Information



Circuits	Part Number		Dimensions		
	W/O Fixing Post	With fixing Post	A	B	C
2	6769 - 2020	6769 - 2021	6.35	7.62	13.97
3	6769 - 2030	6769 - 2031	12.70	7.62	20.32
4	6769 - 2040	6769 - 2041	19.05	7.62	26.67
5	6769 - 2050	6769 - 2051	25.04	7.62	33.02
6	6769 - 2060	6769 - 2061	12.70	20.32	13.97
6*(In Line)	6769 - 2L60	6769 - 2L61	31.75	7.62	33.37
8	6769 - 2080	6769 - 2081	44.45	7.62	52.07
9	6769 - 2090	6769 - 2091	12.70	20.32	20.32
9*(In Line)	6769 - 2L90	6769 - 2L91	50.80	7.62	58.42
10	6769 - 2100	6769 - 2101	57.15	7.62	64.77
12	6769 - 2120	6769 - 2121	19.05	20.32	26.67
15	6769 - 2150	6769 - 2151	25.40	20.32	33.02

*Optional: Insulator UL94V-0.
 P/N: 6769 - 2XX2 (Without fixing post)
 P/N: 6769 - 2XX3 (With fixing post)

