

IEEE 1394 SOCKET SMT SIDE ENTRY CON.



5628 SERIES. IEEE 1394 Socket SMT connector.

General Features

- Standard IEEE 1394 socket 6 pins
- Contact area: selective gold plating over nickel
- Solder area: tin plating over nickel
- Stand off: 0 mm.
- With board lock fixing tab

Materials

- Insulator: Polyester GF UL 94 V-0
- Contact: Brass gold plated
- Shell: Brass nickel plated
- Operating temperature. -25°C to +85°C
- RoHS compliant

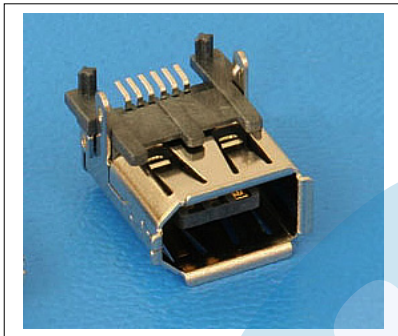
Dimension Information

Electrical Features

- Voltage rating: < 40 V
- Current rating: 1.5 A
- Contact resistance: < 30 mΩ
- Dielectric withstanding Voltage: 500 V AC/minute
- Insulation resistance: >100 MΩ

Mechanical Features

- Mating force: < 4.00 Kgf
- Unmating force: > 1.00 Kgf
- Contact retention force to insulator: > 1.00 Kgf
- Durability: 1.500 Cycles



Ordering Information:

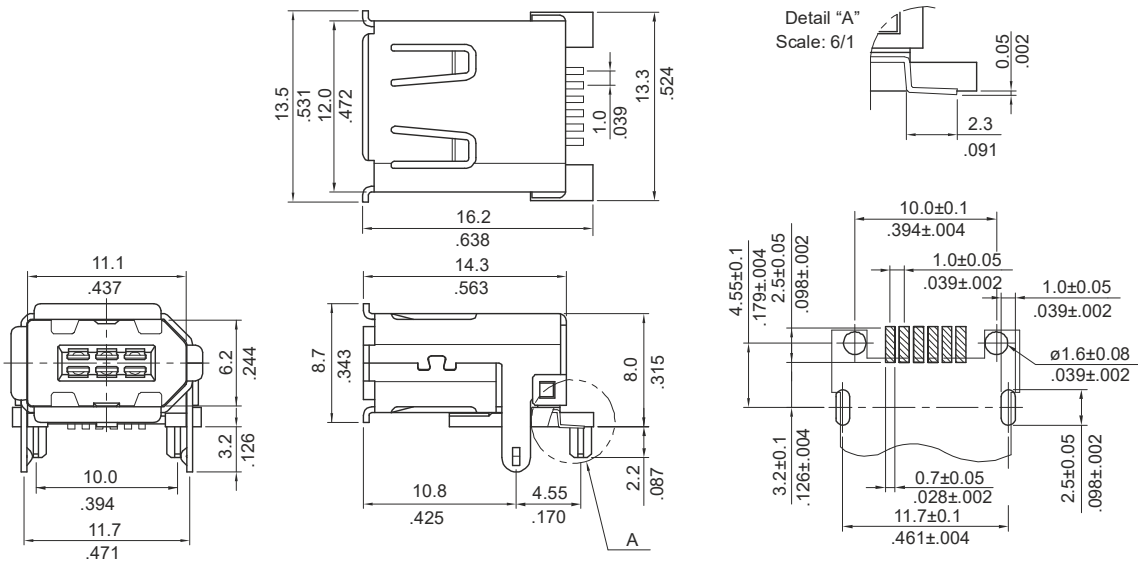
5628 - T- 06- 1- E
 1 2

1. (T) = Contact Plating

- T = 15. 15μ" selective gold over 50μ" nickel
Recommended Finish

2. (E) = Packing Options

- E = 1. Tube
- E = 2. Reel



RECOMMENDED PCB LAYOUT