

CRIMP TERMINAL (AWG 16-22)



5031-5033 & 5032-5034 SERIES. 2.13mm(0.083"). Crimp Terminal.

Features

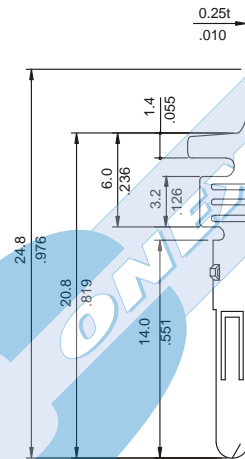
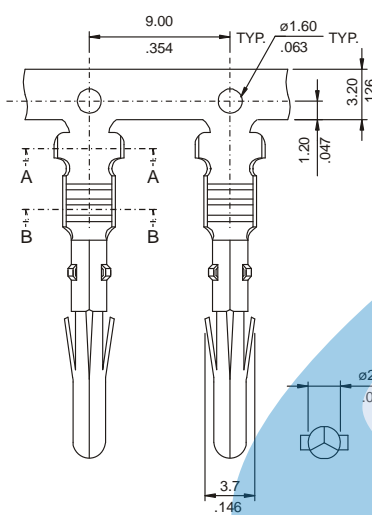
- Lateral Carrier
- Material: Tin-plated brass
- Current Rating: 5A maximum
- Contact Resistance: 20mΩ maximum
- Insertion force: 1.60 Kgs.
- Pin disconnection force: 1.25 Kgs.

Dimensional Information

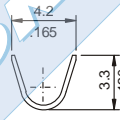
Ordering and Dimensional Information

Type	Part Number	Material	Wire Ranges	Reel Quantity
Male	5031 – 2000	Brass, Tin Plated	20 – 22 AWG	5,000 Pcs (Reel)
Male	5031 – 2001	Brass, Tin Plated	20 – 22 AWG	Loose Piece
Female	5032 – 2000	Brass, Tin Plated	20 – 22 AWG	5,000 Pcs (Reel)
Female	5032 – 2001	Brass, Tin Plated	20 – 22 AWG	Loose Piece
Male	5033 – 2000	Brass, Tin Plated	16 – 18 AWG	5,000 Pcs (Reel)
Male	5033 – 2001	Brass, Tin Plated	16 – 18 AWG	Loose Piece
Female	5034 – 2000	Brass, Tin Plated	16 – 18 AWG	5,000 Pcs (Reel)
Female	5034 – 2001	Brass, Tin Plated	16 – 18 AWG	Loose Piece

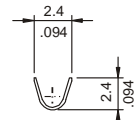
SERIES: 5031- 5033



Serie: 5031

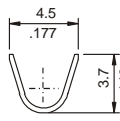


SEC.: A-A

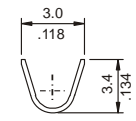


SEC.: B-B

Serie: 5033

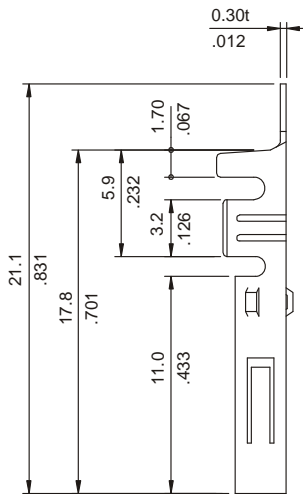
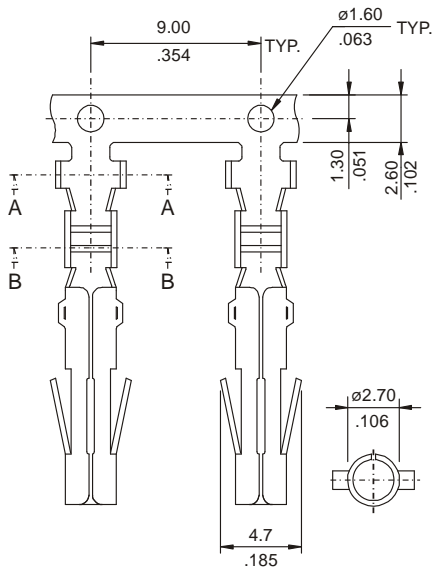


SEC.: A-A

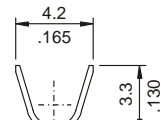


SEC.: B-B

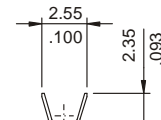
SERIES: 5032 - 5034



Serie: 5032

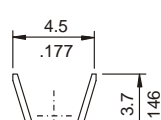


SEC.: A-A

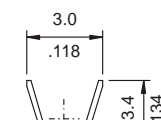


SEC.: B-B

Serie: 5034



SEC.: A-A



SEC.: B-B