

SERIAL ATA POWER CRIMP RECEPTACLE



4216 SERIES. Serial ATA 5 pins.

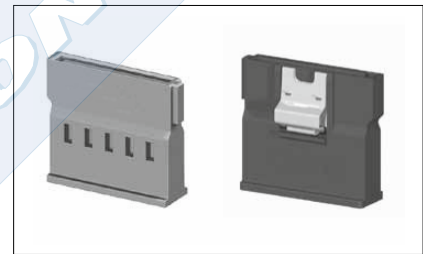
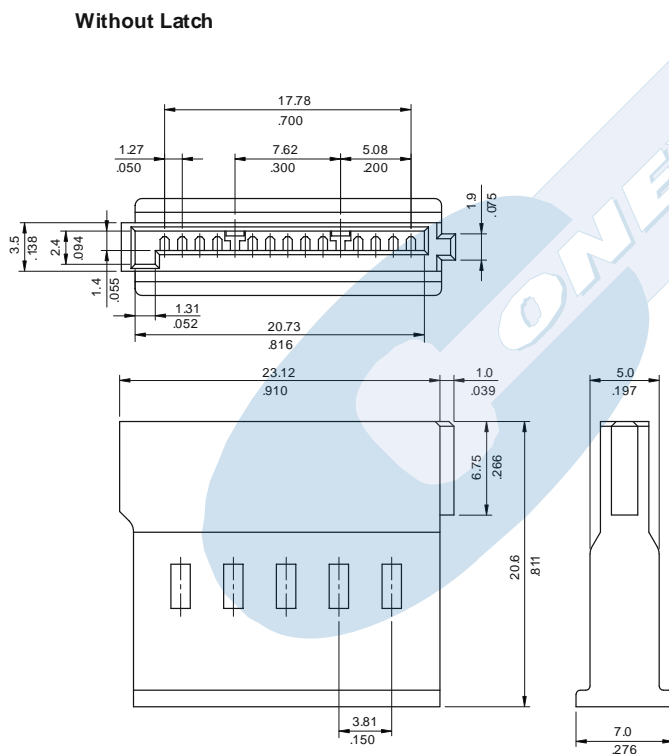
General Features

- Meet serial ATA specifications 5 pins
- Accept crimp terminal 4217 and 4218 series
- With or without metal and plastic latch

Materials

- Insulator: PBT 30 % glass filled high temp. UL 94 V-0
- Operating temperature: -25°C to +85°C
- Halogen free
- RoHS compliant

Dimension Information



Ordering Information:

4216 - 2- 05- L
 1 2 3 4

1. Connector Series

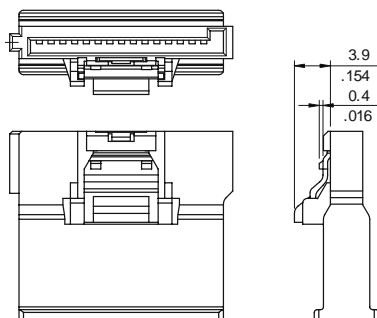
3. (XX) Number of circuits

- Available in 5 circuits

4. (L) Latch Options

- L = 1. Without latch
- L = 2. Metal Latch
- L = 3. Plastic Latch

With Plastic Latch



With Metal Latch

