

# SERIAL ATA 7+15 PINS TOP ENTRY MALE



## 4213 SERIES. Serial ATA 7+15 Pins (Power+Data).

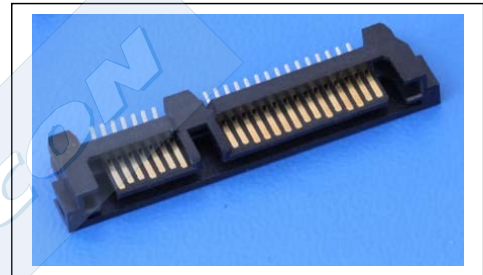
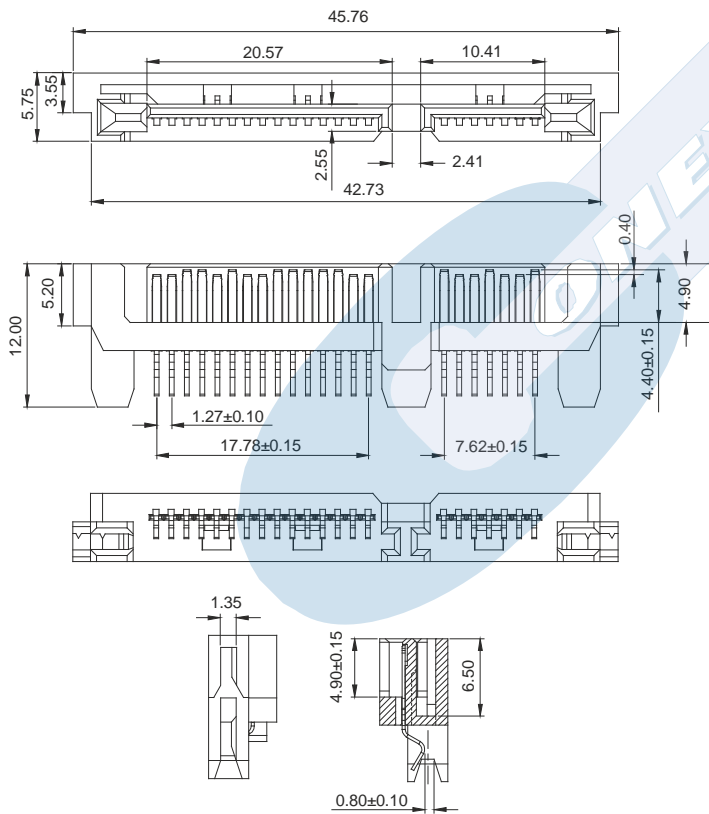
### General Features

- Meet serial ATA specifications 7+15 pins
- 7 contacts (Power) and 15 contacts (Data)
- Contact area: different gold plating over 50 μ nickel
- Solder area: tin plating over 50 μ nickel

### Materials

- Insulator: PBT 30% glass filled high temperature UL 94 V-0
- Contact: Brass
- Operating temperature: -25°C to +85°C
- RoHS compliant

### Dimensional Information



**4213 - I- 22- 1**

1            2            3            4

1. Series
2. Plating Options
  - T = 13. Sel. gold flash over Ni overall  
Recommended Finish
3. Number of circuits
  - Available in 7 +15 circuits

